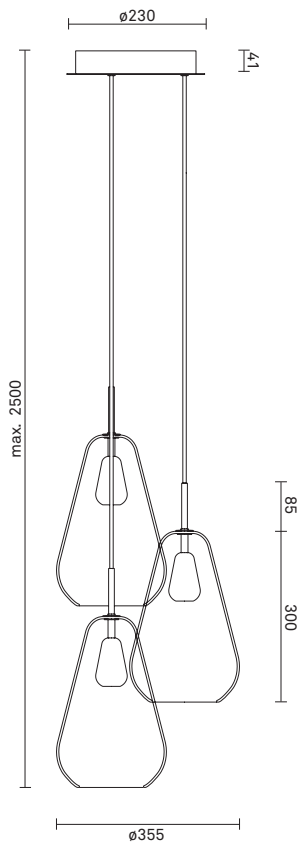


# NUURA



## ANOLI 3

Design: Sofie Refer, 2018. EU-model.

**Anoli 3 Medium in mouth blown Gold glass and Nordic Gold finish Incl. Ceiling plate.**

Anoli Collection captures the tranquility of falling water droplets. The elegant droplets and golden warmth are the essence of the sophisticated pendant collection Anoli.

The elegant yet simple drop shape is emphasized by the finest mouth blown glass and light gold metal.

The collection ranges from sleek pendants to elegant chandeliers and can be customised for larger projects and private homes.

**Anoli 3** is suitable over dining tables, side tables and corner spaces.

### Anoli collection:

The Anoli collection include the following products:

- **Anoli 1 Small:** Nordic Gold, Opal White/Gold Glass
- **Anoli 1 Medium:** Nordic Gold, Opal White/Gold Glass
- **Anoli 3:** Nordic Gold, Opal White/Gold Glass
- **Anoli 6:** Nordic Gold, Opal White/Gold Glass
- **Anoli 13:** Nordic Gold, Opal White/Gold Glass

## TECHNICAL INFO

**Product no.:** 01030122

**Type:** Suspension - Indoor

**Colour:**

Glass: Gold  
Metal: Nordic Gold  
Cable: Black

**Materials:**

Powder coated metal  
Mouth-blown glass  
Fabric covered cable

**Dimensions:**

∅355mm x max. 2500mm  
Ceiling plate: ∅230mm x 41mm  
Fabric cable - Length: 2500mm

**Product weight:**

Product incl. ceiling plate: 4006 g  
Ceiling plate: 1036 g

**Packaging:**

Pendant: L: 254mm x W: 254mm x H: 481mm  
Ceiling plate: L: 270mm x W: 270mm x H: 110mm  
Weight: 2960 g  
Total weight incl. product: 6966 g  
Number of parcels: 4  
Material: Brown cardboard.

**Packaging - weight - material:**

Cardboard outside: 2018 g  
Cardboard inside: 867 g  
Bubble wrap: 75 g  
Plastic bag: 0 g

**Cleaning:**

Use a soft dry cloth to clean the product.  
Do not use household cleaners.

**Certifications and labels:**

CE - CE-certified  
IP20 - IP20  
□ - Class II

**Light source:**

Socket: E14  
Max wattage: 3 x 25W (Bulb not included)  
Voltage (V): 220-240V

**Recommended light source:**

Tube light T25, 3.5W LED, 2700 Kelvin, 210lm

**Energy efficiency class:**

A+ (with recommended bulb)

**Dimmability:**

Can be fitted with an aligned dimmer.

**DALI compatible**

**Included ceiling plate:**

